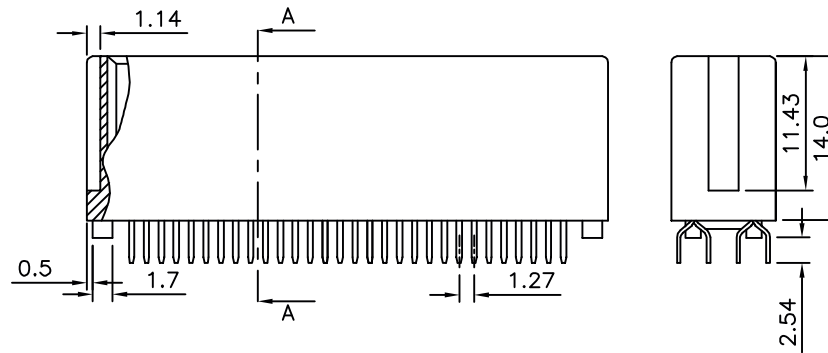
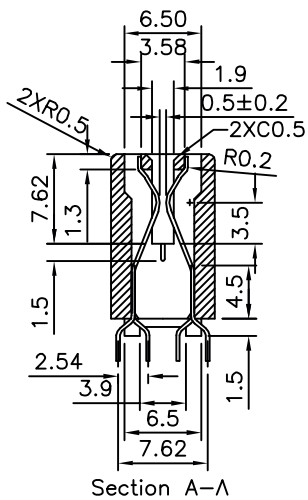
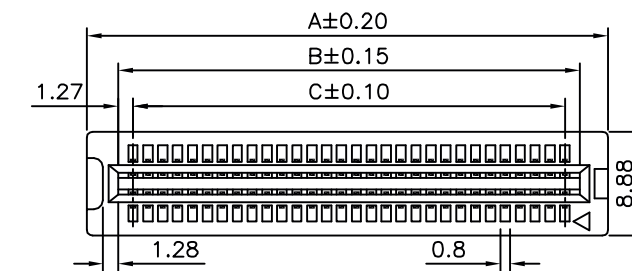


⚠ SPECIFICATION

Current Rating:1 Amp
 Voltage Rating:250V AC RMS
 Dielectric Withstanding Voltage:500V AC RMS 60Hz
 For 1 Minute
 Insulation Resistance:1000 Megaohms Min. At 500V DC
 Contact Resistance:30 Milliohms Max.
 Temperature Range:-55°C~+105°C
 Insulator:PA66+G.F.
 Contact:Brass
 Gold Flash On Contact Area,
 Tin Plated On Solder Tails,Over Nickel
 RoHS Compliant



Pin	A	B	C	Pin	A	B	C
04	8.64	3.81	1.27	40	31.50	26.67	24.13
06	9.91	5.08	2.54	42	32.77	27.94	25.40
08	11.18	6.35	3.81	44	34.04	29.21	26.67
10	12.45	7.62	5.08	46	35.31	30.48	27.94
12	13.72	8.89	6.35	48	36.58	31.75	29.21
14	14.99	10.16	7.62	50	37.85	33.02	30.48
16	16.26	11.43	8.89	52	39.12	34.29	31.75
18	17.53	12.70	10.16	54	40.39	35.56	33.02
20	18.80	13.97	11.43	56	41.66	36.83	34.29
22	20.07	15.24	12.70	58	42.93	38.10	35.56
24	21.34	16.51	13.97	60	44.20	39.37	36.83
26	22.61	17.78	15.24	68	49.28	44.45	41.91
28	23.88	19.05	16.51	70	50.55	45.72	43.18
30	25.15	20.32	17.78	80	56.90	52.07	49.53
32	26.42	21.59	19.05	100	69.60	64.77	62.23
34	27.69	22.86	20.32	124	84.84	80.01	77.47
36	28.96	24.13	21.59	182	121.67	116.84	114.30
38	30.23	25.40	22.86				