



## 2.7" e-Paper Panel

This e-Paper panel is the most power efficient, easy to read, industrial purposed reflective e-Paper display on the market. By combing the high resolution of a TFT backplane and the dependability/maturity of E Ink technology, this display offers its user the freedom to display any image with excellent definition and contrast. The small and thin form factor makes it easy to design it into a variety of applications.

### Key Features

#### ■ Ultra Low Power

Driven by Coin battery/  
Solar power

#### ■ Easy to Read

Sunlight readable  
Wide viewing angle

#### ■ High Resolution

117 dots per inch  
1D/2D barcode support

#### ■ Thin & Light

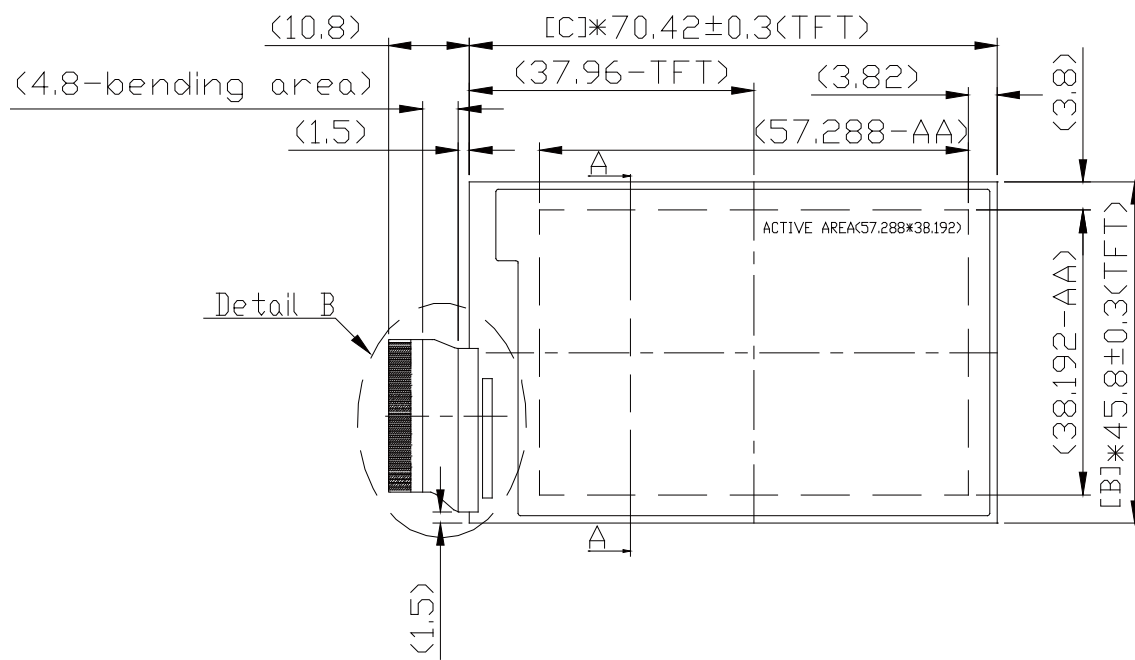
Easy to design-in

#### ■ Green

Paper and sticker replacement

## 2.7" e-Paper Panel

Model Name	EM027AS011	EM027AS012	EM027AS013
Outline (mm)	70.42(H) x 45.80(V) x 1.00(T)		
Resolution	264 x 176		
Contrast Ratio	10:1	7:1	7:1
Interface	SPI		
Operation Temperature	0~50°C		
Storage Temperature	-20~60°C		
Refresh Time(room temp.)	3 sec		
Pixel Pitch(mm)	0.217 x 0.217 (117dpi)		
Pin Number	40 pins(Connector STARCONN 089H40 or Compatible)		
Input Voltage	3.0 V		
FPC	0.5mm pitch with stiffener	0.5mm pitch with stiffener	0.5mm pitch <b>without</b> stiffener
FPL	V220	V110	V110



EM027AS012