



2" e-Paper Panel

This e-Paper panel is the most power efficient, easy to read, industrial purposed reflective e-Paper display on the market. By combing the high resolution of a TFT backplane and the dependability/maturity of E Ink technology, this display offers its user the freedom to display any image with excellent definition and contrast. The small and thin form factor makes it easy to design it into a variety of applications.

Key Features

■ Ultra Low Power

Driven by Coin battery/
Solar power

■ Easy to Read

Sunlight readable
Wide viewing angle

■ High Resolution

111 dots per inch
1D/2D barcode support

■ Thin & Light

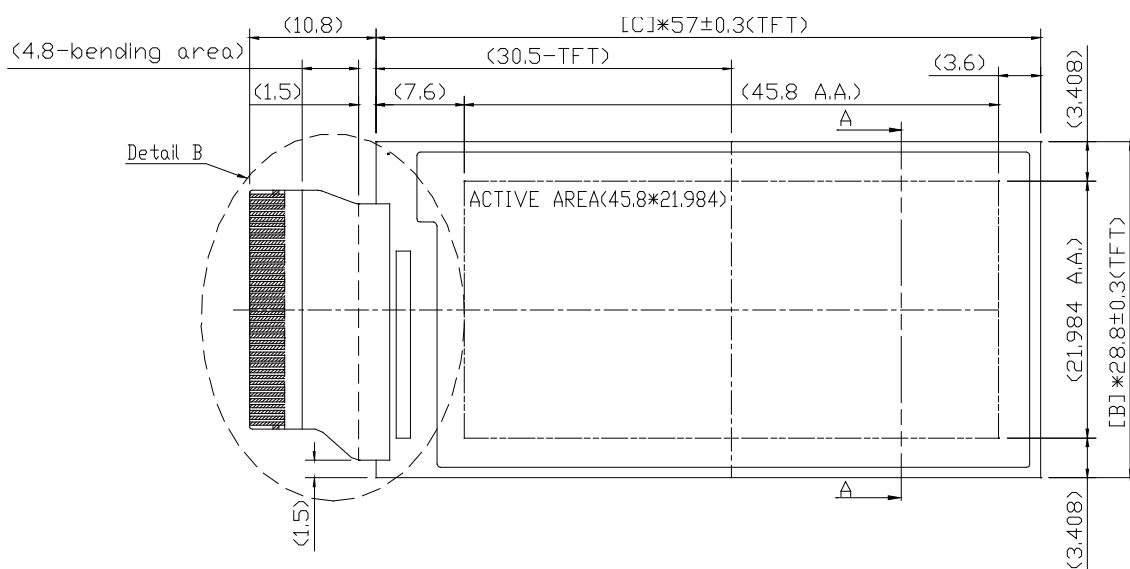
Easy to design-in

■ Green

Paper and sticker replacement

2" e-Paper Panel

| Model Name | EG020AS012 | EG020AS013 | EG020AS014 |
|--------------------------|--|--------------------------------------|----------------------------|
| Outline (mm) | 57.0(H) x 28.8(V) x 1.0(T) | | |
| Resolution | 200 x 96 | | |
| Contrast Ratio | 7:1 | 7:1 | 10:1 |
| Interface | SPI | | |
| Operation Temperature | 0~50°C | | |
| Storage Temperature | -20~60°C | | |
| Refresh Time(room temp.) | 2 sec | | |
| Pixel Pitch(mm) | 0.229 x 0.229 (111dpi) | | |
| Pin Number | 40 pins(Connector STARCONN 089H40 or Compatible) | | |
| Input Voltage | 3.0 V | | |
| FPC | 0.5mm pitch with stiffener | 0.5mm pitch without stiffener | 0.5mm pitch with stiffener |
| FPL | V110 | V110 | V220 |



EG020AS012