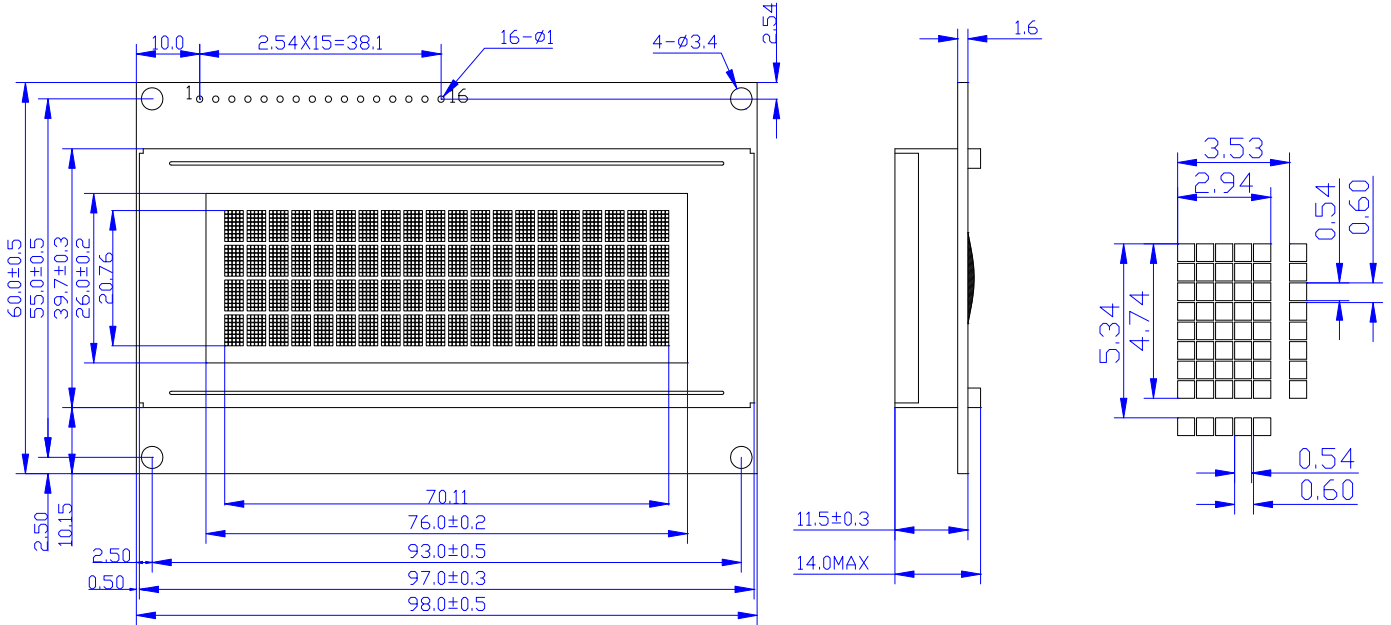


# QC2004A

## ① PHYSICAL DIMENSION



## ② MECHANICAL SPECIFICATIONS

Item	Nominal Dimensions(mm)
Module Size(W×H×T)	98.0×60.0×14.0
Viewing Area(W×H)	76.0×26.0
Character Size(W×H)	2.94×4.74
Dot Size(W×H)	0.54×0.54

## ④ FEATURE

LCD Type & Colour	STN:Yellow-Green, Blue, FSTN
View Angle	6 0' clock
Display Type	Positive Type, Negative Type
Control IC & Package	KS0066 or EQV, COB
Operating Temperature	-20°C ~ 70°C
Storage Temperature	-30°C ~ 80°C

## ③ PIN CONNECTIONS

Pin	Symbol	Function
1	VSS	Ground for Logic(0V)
2	VDD	Power supply for Logic(+5V)
3	V0	Power supply for LCD Driver
4	RS	H: Data; L: Instruction Code
5	R/W	H: Read; L: Write
6	E	Enable signal
7~14	DB0~DB7	Data Bus Line
15	A	Backlight Power(+5V)
16	K	Backlight Power(0V)

## ⑤ ELECTRICAL CHARACTERISTICS (Supply current doesn't contain backlight)

Item	Symbol	Test Condition	Typ.	Unit
Operating Voltage	Vdd	Ta=25°C	5.0	V
Supply Current	Idd	Ta=25°C , Vdd=5.0V	1.6	mA